

Special thanks

KSK(Kommando Spezialkräfte) Prague , Czech Republic

S.M.O.G. Baden (Germany)



星虹玩具有限公司
STAR RAINBOW TOYS CO.,LTD

Address : Room D2. No. 36, Alley 82, Lane 422, Minzu Rd., Lujhou City ,
Taipei County 247 ,Taiwan (R.O.C.)

TEL:886-2-82853848

FAX:886-2-28484622

E-mail:src@starrainbow.com.tw

Web:www.starrainbow.com.tw



MODEL:GE-TM



MODEL:GE

Dealer



STAR 17
SERIES

6MM CAL. AIR SOFT RIFLE

MADE IN TAIWAN

INSTRUCTION MANUAL

SR47 SERIES

SAFETY INFORMATION



When using airsoft guns eye protection is required (goggles or mask)



Never place your finger on the trigger until you are ready to fire the gun. Always put the gun in safe mode when not in use. Treat every gun as if it is loaded.



Please keep away from children



BBs may remain in the barrel after magazine removal. To avoid injury, never look directly into the barrel and ensure the gun is always pointed in a safe direction.



Disassembly or modification of this product may result in damage to your Airsoft gun, loss of warranty, and/or serious injury.



Please select a safe place to fire your airsoft gun. Always know your state and local laws concerning airsoft gun use.



Do not aim or shoot at humans, animals, buildings, or vehicles.



Please use a firearm case or bag when transporting your airsoft gun.



SR-47C
The Emperor of AK
GE-0602TM-LE

SR-47C
GE-0602TM

SR-74U
GE-0606TM

SR47
KRINKOV
GE-0604TM

SR47
β-SPETSNAZ
GE-0603TM

SR-47
GE-0601TM

SR-TAC
GE-0610TM

SR-ADV
GE-0609TM

SR-47 RPK
GE-0605TM

SR-AKM-S
GE-0607TM

SR47 SERIES MODELS



SR47 Series Parts Description



1 Installing the Battery (Fixed Stock type)



STEP 1
Please use a fully charged SRC 8.4v Battery.



STEP 2
1.Push cover downward.
2.Remove cover to expose battery compartment.



STEP 3
1.Connect the battery leads.
2.Insert the battery into the stock.



STEP 4
Tuck all wires into the stock. Follow step 2 in reverse to install the battery compartment cover.

Installing the Battery (Receiver type)



STEP 1
Please use a fully charged SRC 8.4v Battery (Stick type).



STEP 2
1.Push Receiver top catch and hold. 2.Remove the Receiver top cover.

WARNING
1.Remove the battery from device when not in use.
2.Please use high-quality, CE approved battery.



STEP 3
1.Connect the battery leads.
2.Insert the battery .



STEP 4
Reinstall the Receiver Top Cover.

Installing the Battery (Combat Crane Stock type)



STEP 1

Please use a full charged SRC 8.4v battery (large type).



STEP 2

Push the release button (two side).



STEP 3

Remove cover to expose battery compartment.



STEP 4

1.Insert the battery into the stock. 2.Connect the battery leads.

Installing the Battery (Combat Crane Stock type)



STEP 5

Tuck all wires into the stock.



STEP 6

Follow step 2 in reverse to install the battery compartment cover.



Install complete

WARNING
Always keep finger off the trigger until you are ready to fire. Make sure the muzzle is pointing in a safe direction. Keep the selector on safe mode until you are ready to shoot.



Installing the Battery (RPK Stock type)



STEP 1

Please use a full charged SRC 8.4v battery (large type).



STEP 2

1.Push cover downward.
2.Remove cover to expose battery compartment.



STEP 3

1.Insert the battery into the stock. 2.Connect the battery leads.

WARNING
1.Remove the battery from device when not in use.
2.Please use high-quality, CE approved battery.

Installing the Battery (RPK Stock type)



STEP 4

Tuck all wires into the stock.



STEP 5

Follow step 2 in reverse to install the battery compartment cover.



Install complete

WARNING
Always keep finger off the trigger until you are ready to fire. Make sure the muzzle is pointing in a safe direction. Keep the selector on safe mode until you are ready to shoot.



2 Loading the Magazine

WARNING
Use SRC Precision BBs only. The use of low-quality BBs may cause damage to your airsoft gun.



Open the BB well cover and fill with BBs



Rotate the wheel on the bottom of the magazine until you hear the clicking sound change.



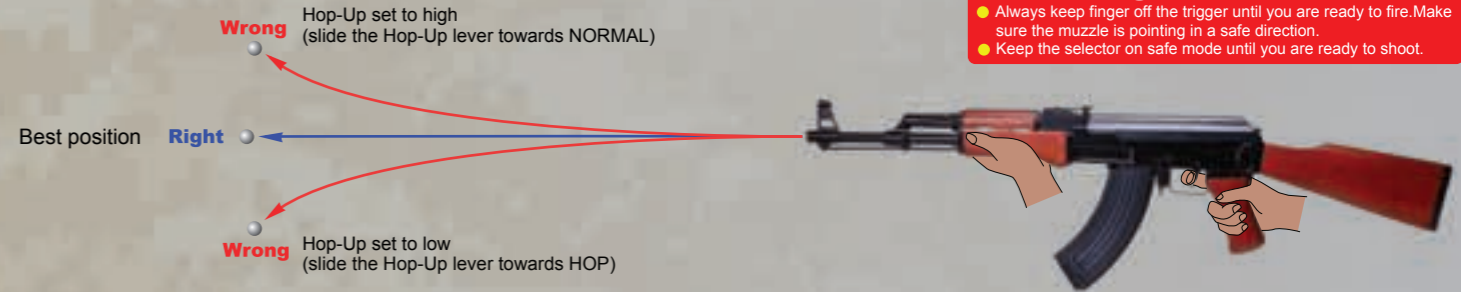
1. First locking the front of Magazine.
2. Locking the rear of Magazine until you heard it click into place. The gun is ready to fire.

3 Shooting Modes



4 Hop-up Adjustment

WARNING
● Always keep finger off the trigger until you are ready to fire. Make sure the muzzle is pointing in a safe direction.
● Keep the selector on safe mode until you are ready to shoot.



Pull the Charging Handle to the rear, exposing the Hop-Up lever.



To reduce the Hop-Up setting slide the Hop-Up lever towards the NORMAL setting.



To increase the Hop-Up setting slide the Hop-Up lever towards the HOP setting.

5

Rear Sight Adjustment



If BBs hit to the up of the target, push the Rear Sight to front.

If BBs hit to the down of the target, push the Rear Sight to the Rear.



6

SR47 Series Troubleshooting

PROBLEM : AEG DOES NOT FUNCTION



Please check the connectors



Please check the fuse



Please check the motor wiring connections.



Problem:
When the gear noise become shrilly

Please use a screwdriver to adjust.

SR47 Series Troubleshooting



PROBLEM : CLEARING JAMMED BBS



STEP 1

Remove the magazine.



STEP 2

Turn off the Hop up by sliding the hop-up lever all the way to NORMAL. Use the correct end of the cleaning rod.



STEP 3

Insert the Cleaning rod into the Barrel to remove the jammed BBs..

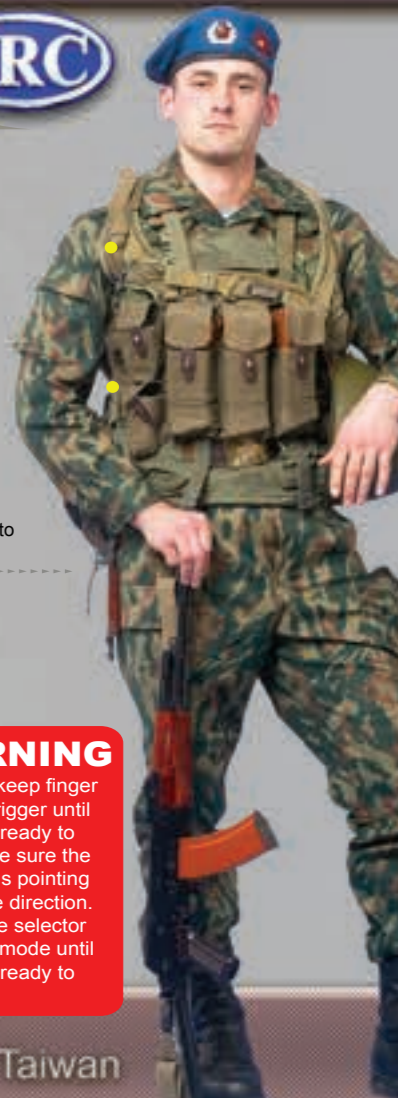


STEP 4

Use Airsoft Safe Silicone to lubricate the hop up chamber. Use silicone lubricant sparingly.

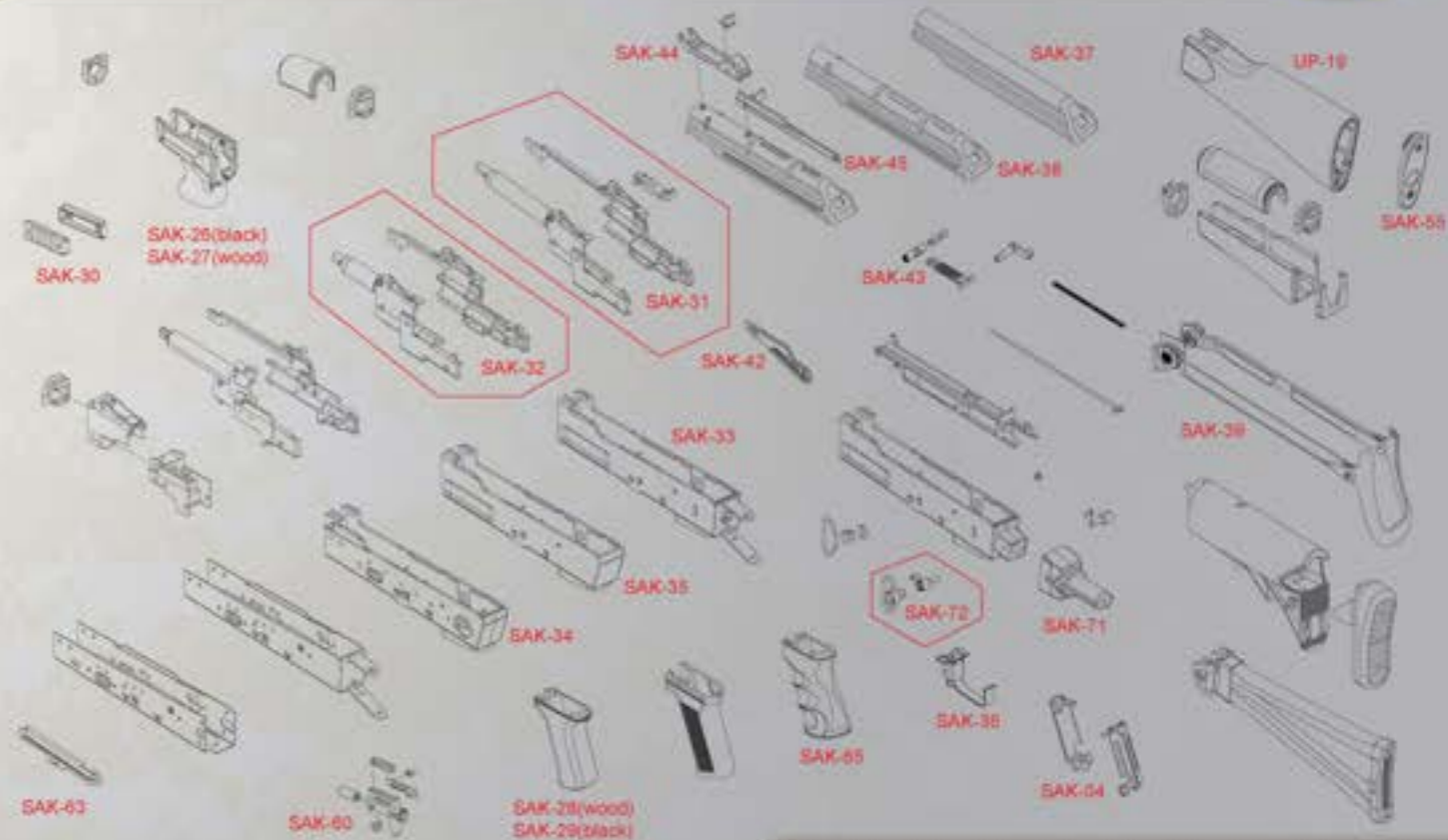
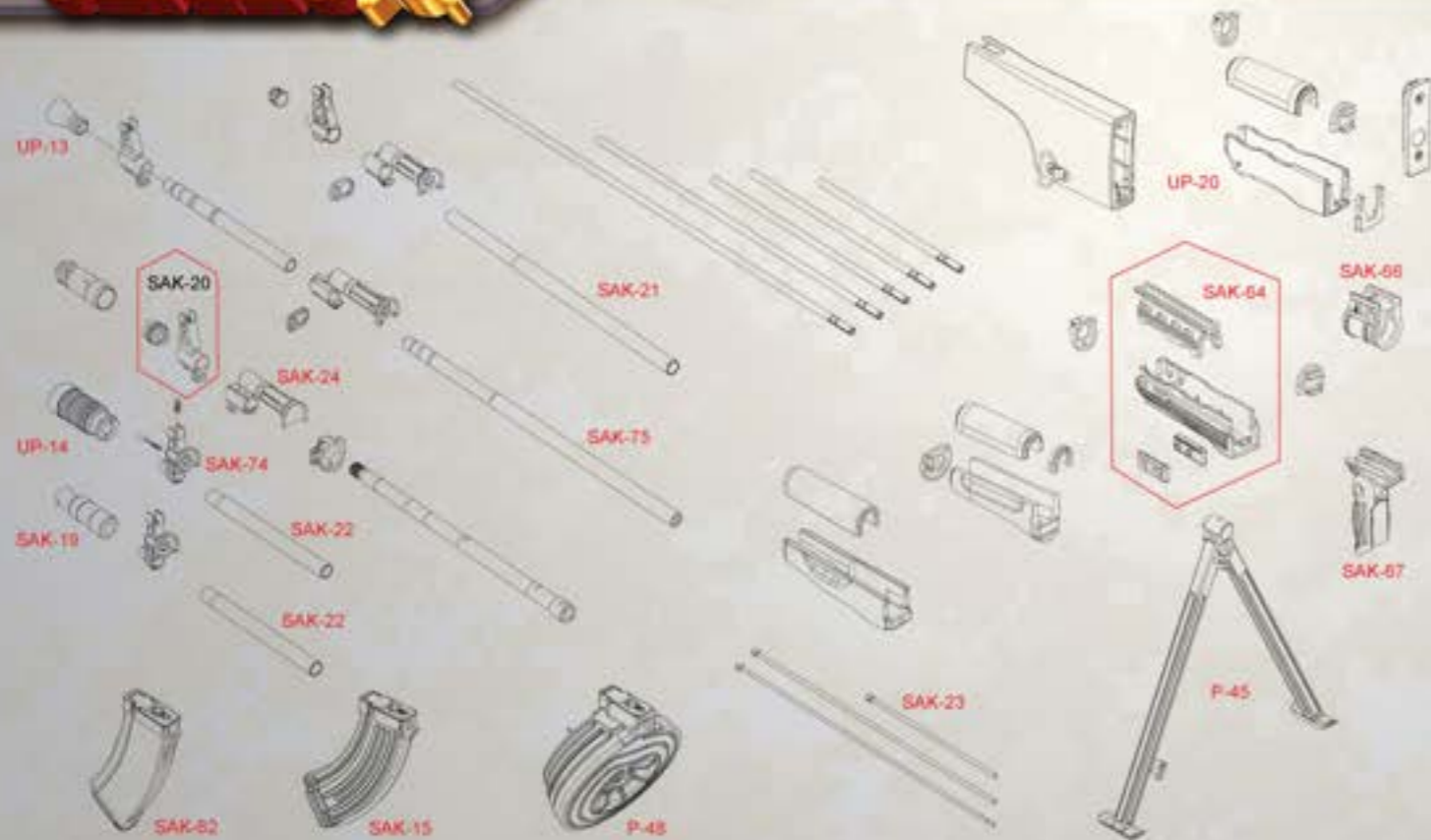
WARNING

Always keep finger off the trigger until you are ready to fire. Make sure the muzzle is pointing in a safe direction. Keep the selector on safe mode until you are ready to shoot.



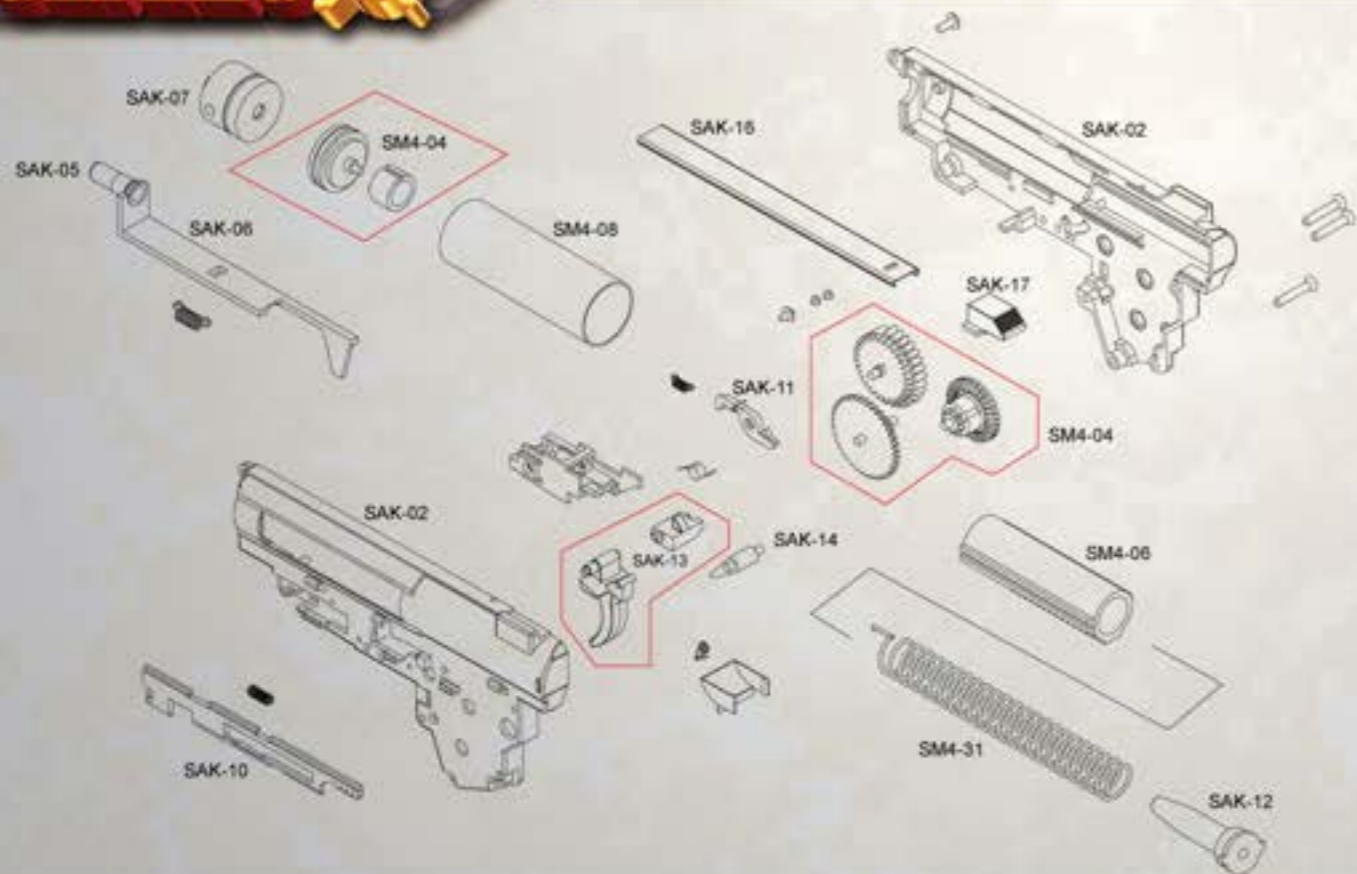
7 SR47 Series Schematic

6MM CAL. AIRSOFT RIFLE



8 SR47 Series Gear Box Schematic

6MM CAL. AIRSOFT RIFLE



SR47 Series Parts List



NO	DESCRIPTION	NO	DESCRIPTION	NO	DESCRIPTION	NO	DESCRIPTION
SAK-01	High Torque Motor for Gear Box Ver 3	SAK-26	AK-β Handguard set / Black (plastic)	SAK-56	Receiver Top Inner Cover Set w/Charging handle	UP-19	AK-47 Wood stock set
SAK-02	Gear Box Ver 3.	SAK-27	AK-β Handguard set /Wood (plastic)	SAK-57	Gun Sling	UP-20	RPK Wood stock set
SAK-03	AK Gear Box complete set (Motor base not included)	SAK-28	Grip / Wood (plastic)	SAK-60	AK Metal Hop up Chamber		
SAK-04	AK Motor Base	SAK-29	Grip /Black (plastic)	SAK-62	AK-74 Series 360 Rounds Hi-cap Magazine		
SAK-05	AK Air Nozzle	SAK-30	AK-β Handguard Tactical Rail System	SAK-63	AK Scope mount		
SAK-06	AK Tappet Plate	SAK-31	AK Large Battery space Metal Frame (Standard)	SAK-64	Nylon Tactical Handguard		
SAK-07	AK Cylinder Head	SAK-32	AK Large Battery space Metal Frame (Short)	SAK-65	Nylon Pistol Grip		
SAK-08	Wire set (Fixed stock)	SAK-33	AK Metal Frame (Fixed Stock)	SAK-66	Tactical Weapon Light Base		
SAK-09	Wire set (Folding stock)	SAK-34	AK Metal Frame (Folding Stock)	SAK-67	Tactical Folding Grip		
SAK-10	Selector plate	SAK-35	AK Metal Frame (Non Stock)	SAK-69	ADV Aluminum Barrel		
SAK-11	SEMI/AUTO Control Lever	SAK-36	Trigger Guard	SAK-70	ADV Front sight-Handguard Base		
SAK-12	Spring Guide Ver 3.	SAK-37	Receiver Top Cover for AK	SAK-71	Retractable Stock Adapter		
SAK-13	Trigger set (spring not included)	SAK-38	Receiver top Cover for AK-β	SAK-72	Quick Release Sling Set		
SAK-14	Gear Box Spring Set	SAK-39	Folding Stock Complete Set	SAK-73	AK Steel Front Sight		
SAK-15	600Rounds Hi-cap Magazine	SAK-40	Fixed stock (with wire set)	SAK-74	AK-U Steel Front Sight		
SAK-16	Gear Box Combine Plate	SAK-41	Fixed Stock Wire set	SAK-75	AK Steel outer Barrel		
SAK-17	Receiver Top Catch	SAK-42	Selector plate	SAK-76	AK-B Steel outer Barrel		
SAK-18	AK Flash Hider	SAK-43	AK Rear Sight	SAK-77	AK-U Steel outer Barrel		
SAK-19	AK-β Flash Hider	SAK-44	Rear sight for AK-β	SAK-78	AK-ADV Steel outer Barrel		
SAK-20	Front Sight Set w/Flash Hider	SAK-45	Charging Handle	SAK-79	RPK Steel outer Barrel Set		
SAK-21	AK Aluminum Outer Barrel (Standard)	SAK-46	AK-β Front Sight Base	SAK-80	AK 125 Rounds Low Cap Magazine		
SAK-22	AK Aluminum Outer Barrel (Short)	SAK-47	AK Inner Barrel	SAK-81	AKS-74U 125 Rounds Low Cap Magazine+BB Loader		
SAK-23	Dummy Cleaning Rod	SAK-48	AK-β Inner Barrel	SAK-82	AKS-74U 100 Rounds Low Cap Magazine		
SAK-24	Gas Tube w/Sling	SAK-54	Hand guard Base	SAK-83	AKS-74U 100 Rounds Low Cap Magazine+BB Loader		
SAK-25	Standard Handguard set (plastic)	SAK-55	Bottom Plate	P-45	AK Series Bipod		

You can buy all parts from your local dealer or reseller.